

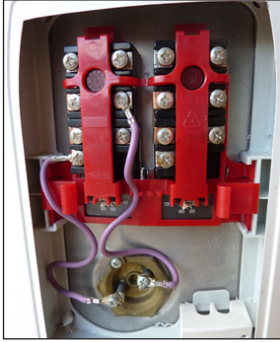
# Thermistor Control for OSO hotwater cylinders



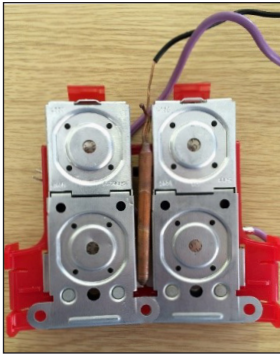
 **hot water  
association**  
CHARTER MEMBER

  
**OSO HOTWATER**

# Super Coil



Open up thermostat housing



Remove the two thermostats from their housing and place the probe in between at the rear



Replace the housing ensuring that the probe is tight up against the cylinder wall, we recommend the use of heat transfer paste

# Ecoline



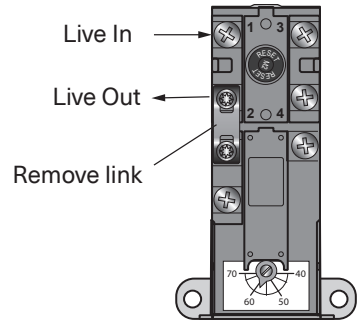
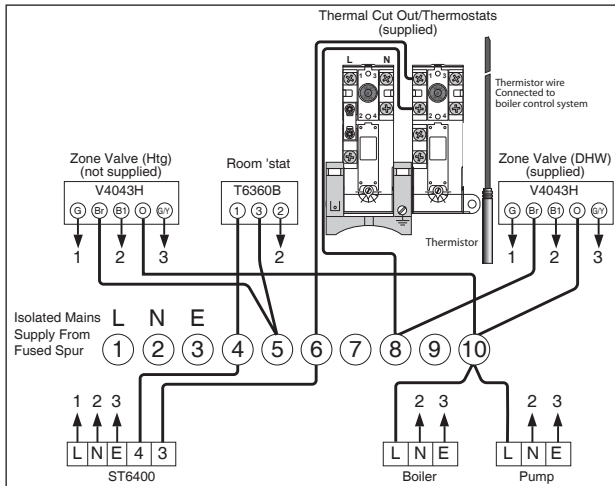
The Ecoline has a dedicated clip to secure the boilerprobe. This is also situated within the thermostat box behind the plastic door

## Super Coil and Ecoline Wiring

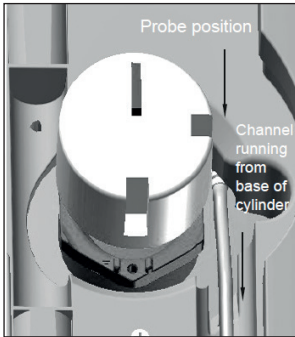
Also it is important that the thermal shut off device (Honeywell 4043 motorised valve) is fitted on the flow pipework to the cylinder.

This is to ensure that power to the boiler as well as boiler water is shut off in the event of the high limit stat operating at 85 degrees.

To wire this, utilise just the top two connections on the right hand thermostat and remove the copper link as shown in the diagram



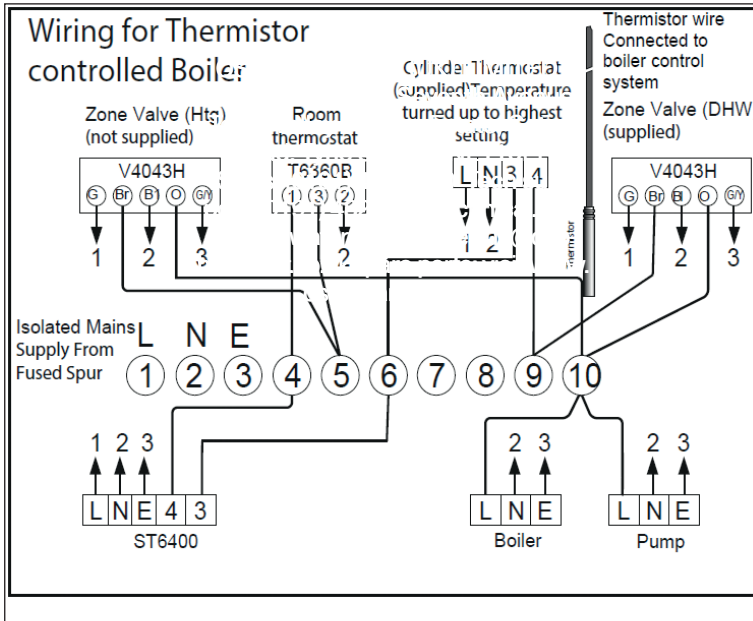
# Delta



Many popular boilers now use a thermistor principle. A thermistor temperature sensor is supplied with the boiler to attach to the cylinder. Temperature information is relayed back to the boiler control system.

A Pocket is provided (see below) to secure the sensor on the Delta Coil cylinder. The probe is run through a channel from base of cylinder to the immersion housing.

The supplied motorised valve must be used in accordance with Building Regulation G3. This is wired from the supplied cylinder thermostat, temperature on thermostat must be turned up to highest setting. Please follow lower diagram: 'Wiring for Thermistor Controlled Boiler'. Both wiring plans shown is based on the use of a 10-way Junction Box (Honeywell Part no.42002116-001). Junction Box terminal 8 is switched live and, if needed, terminal 10 is pump live.



OSO HOTWATER (UK) LIMITED - Endeavor House, Seventh Avenue, Team Valley Trading Estate, Gateshead, Tyne & Wear, NE110EF  
 Sales: (0191) 482 0800 Tech support: (0191) 4827049 technical.uk@oso-hotwater.co.uk - sales.uk@oso-hotwater.co.uk Spare parts: visit [www.oso-spares.co.uk](http://www.oso-spares.co.uk)